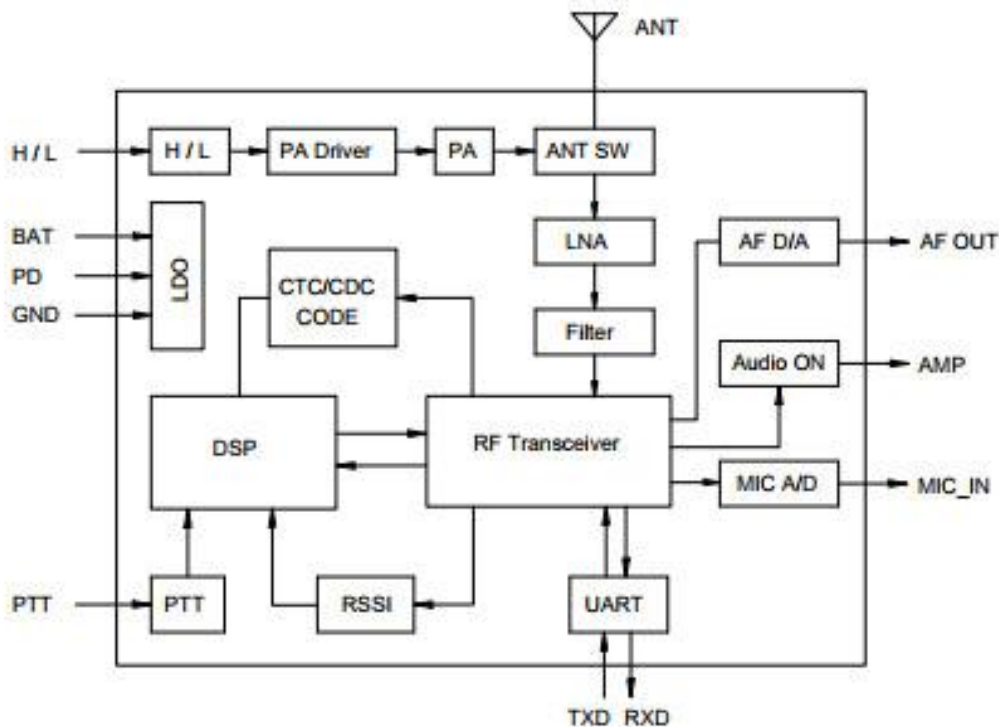


Product of interest

Inexpensive VHF/UHF Band HAM Amateur Radio Modules DRA818V/U



DRA818V or U is a type of compact wireless voice transceiver module based on RFIC and works in VHF or UHF bands. It integrates high speed microcontroller, high performance wireless transceiver IC, high power PA, audio process and squelching circuits. It provides standard UART interface which users can easily configure appropriate parameters for different applications. Users can easily construct a walkie-talkie system by connecting microphone, audio PA and speaker.

Features:

- * Frequency Range: DRA818V 134~174MHz & DRA818U 400~470MHz
- * Tx/Rx frequency independent
- * Channel space: 25KHz
- * Configurable multi-channels
- * Sensitivity: -122dBm
- * Output power: +27/30dBm
- * CTCSS / CDCSS codes
- * 8 volume levels
- * 8 squelch levels
- * UART interface
- * Temperature: -20°C ~+70°C
- * TX current: 450/750mA
- * Supply voltage: 3.3~4.5V

For more info

<http://www.dorji.com/products.php?CateId=32>