

# VK3HJQ Battery Backup for ICOM IC-290H Radio

Hi all,

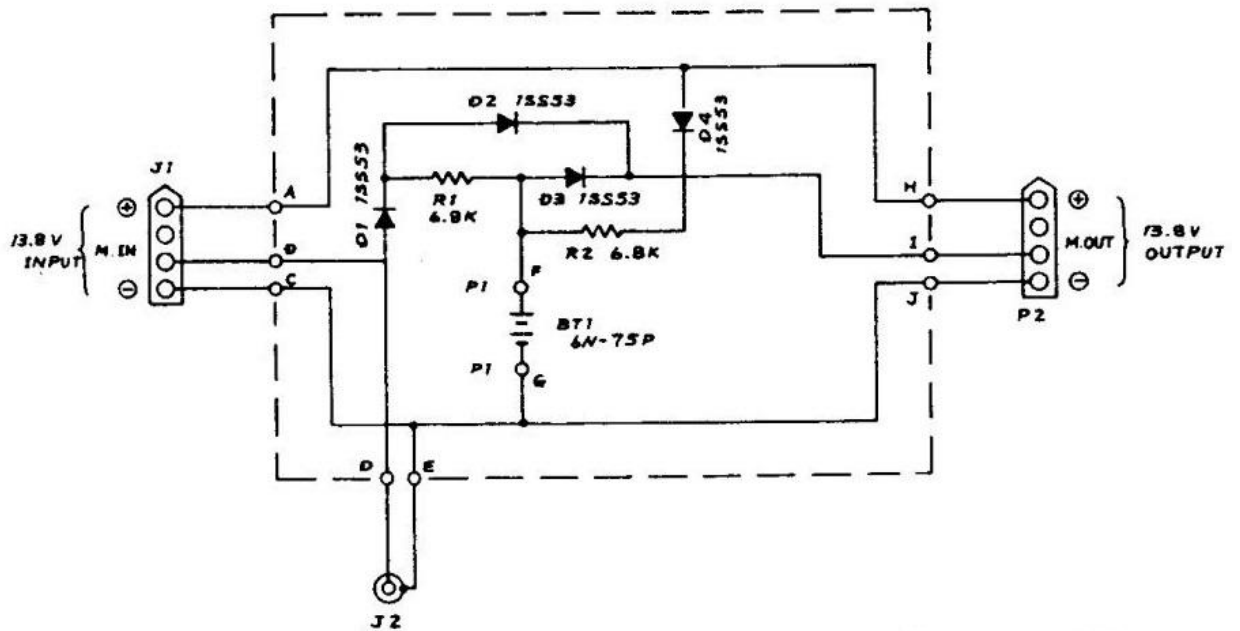
From the shack of John vk3hjq, I've had this problem with my Icom IC-290H Radio for years, that every time I turned off the power in the shack the radio would lose all its memory channels and I would then have to reprogram them all back in, this was a simple process as there is only 5 channels in the radio to program but I was getting sick of doing this all the time, so I had a look around on the net and found that Icom years ago sold a IC-BU1 memory backup battery unit with a NiCAD battery (7.2v 75mah) in it, so I decided to make my own with parts I had laying around the shack including a NiMH battery (7.2V 180mah).

Circuits below.

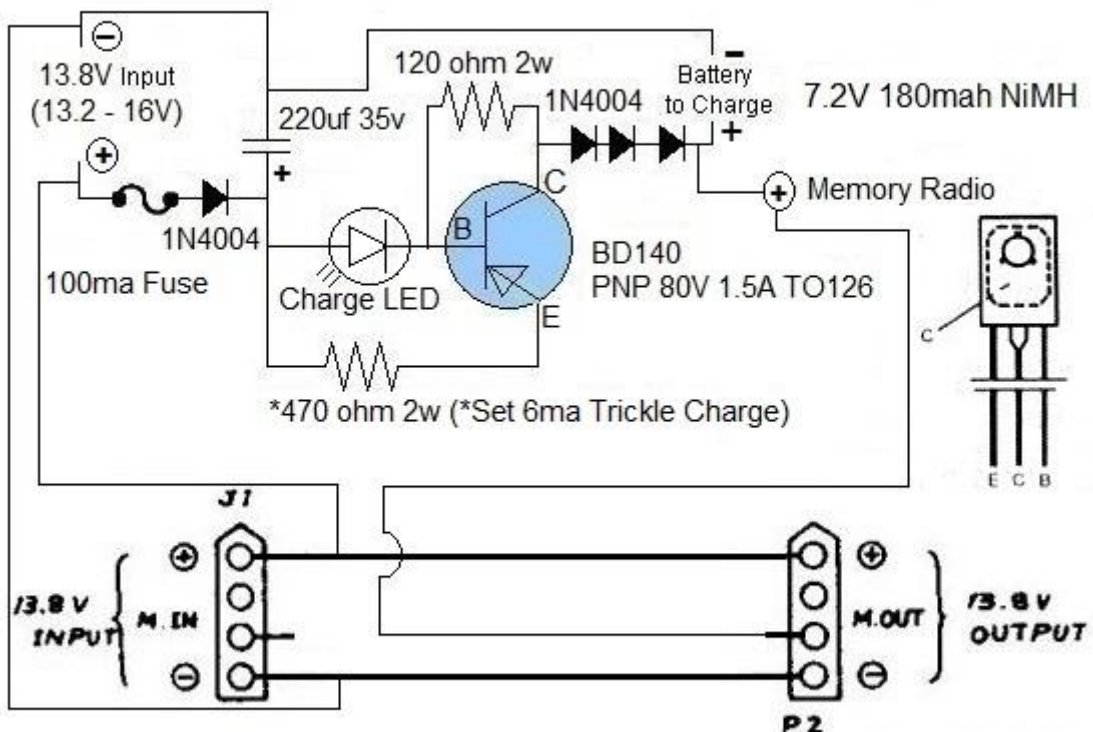
I hope someone else finds this useful.

John VK3HJQ (17/07/2016)

## IC-BU1 SCHEMATIC DIAGRAM



IC-290H Battery Backup Circuit



Replacement for IC-BU1 Memory Backup Battery Unit (Icom IC-290H Radio)